

► **Code Number**
391269T

► **Description**
Exposed Urinal Flushometer, for 3/4" top spud urinals. Carbon Neutral Product.

► **Flush Cycle**
0.5 gpf/1.9 Lpf

► **Specifications**
Quiet, Exposed, Diaphragm Type, Chrome Plated Urinal Flushometer with the following features:

- Includes purchase of forestry carbon credits from the Arbor Day Foundation to offset embedded carbon.
- PERMEX® Synthetic Rubber Diaphragm with Dual Filtered Fixed Bypass
- Sweat Solder Adapter with Cover Tube & Cast Wall Flange with Set Screw
- Non-Hold-Open Handle, Fixed Metering Bypass and No External Volume Adjustment to Ensure Water Conservation
- Diaphragm, Handle Packing and Vacuum Breaker to be molded from PERMEX® Rubber Compound for Chloramine Resistance
- ADA Compliant Metal Oscillating Non-Hold-Open Handle
- Flush accuracy controlled by CID® technology
- Spud coupling and flange for 3/4" top spud
- 3/4" IPS screwdriver Bak-Chek® angle stop with vandal resistant stop cap

Valve Body, Cover, Tailpiece and Control Stop shall be in conformance with ASTM Alloy Classification for Semi-Red Brass. Valve shall be in compliance with the applicable sections of ASSE 1037 and ANSI/ASME 112.19.2.

► **Accessories (Sold Separately)**

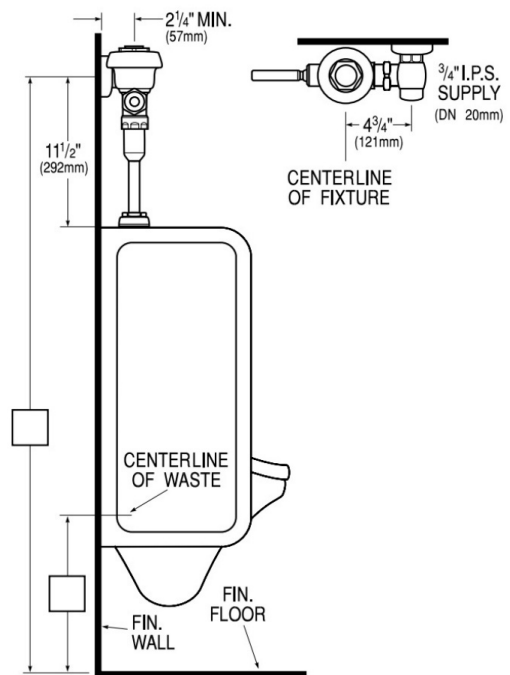
See Accessories Section of the Sloan catalog for available accessories

► **Fixtures**

Consult factory for matching Sloan brand fixture options.

► **Notes**

The precise amount of embedded carbon for this product was calculated and third party verified through Sloan's Environmental Product Declaration which conforms to ISO 14025, 14040, 14044 and 21930.



► **Compliance & Certifications**



This space for Architect/Engineer Approval